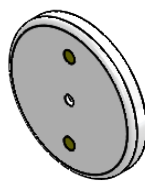


4 3 2 1

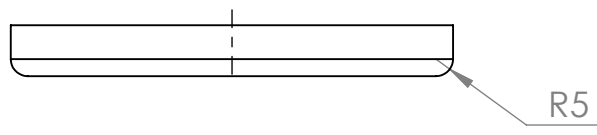
F

F



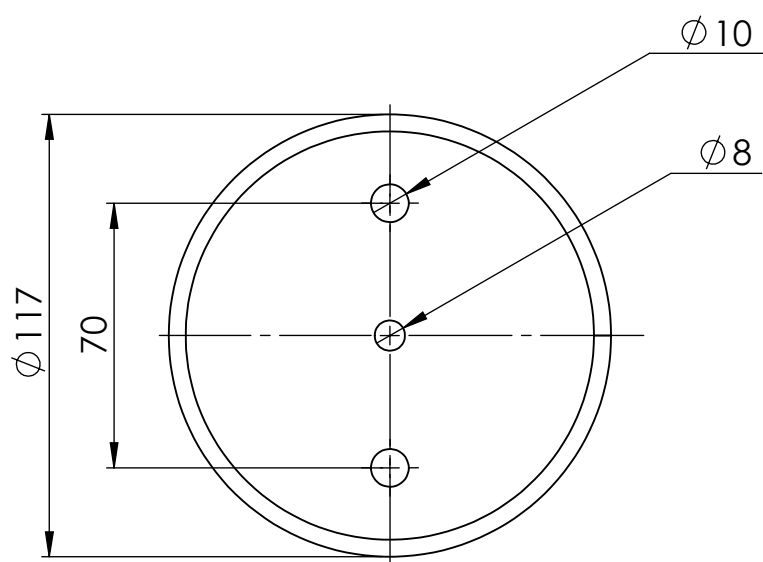
E

E



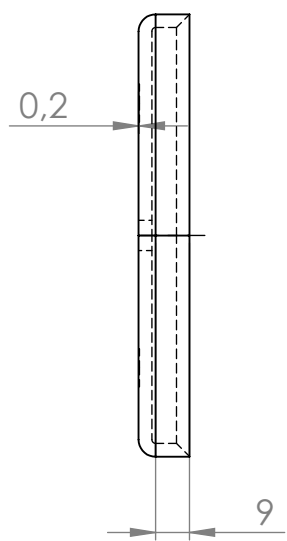
D

D



C

C



B

B

UNLESS OTHERWISE SPECIFIED:
DIMENSIONS ARE IN MILLIMETERS
SURFACE FINISH:
TOLERANCES:
LINEAR:
ANGULAR:

FINISH:

DEBURR AND
BREAK SHARP
EDGES

Hogeschool Windesheim

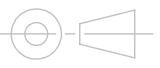
REVISION

Perpetuum mobile-Eigenwijze ventilator

A

A

	NAME	SIGNATURE	DATE
DRAWN	L.Kuczowski		20.12.2018
CHK'D			
APPV'D			
MFG			
Q.A			

TITLE:			A4
<p>wiel ventilator</p>			
MATERIAL:		DWG NO.	
kunststof		nr.1	
WEIGHT: 60.12 grams		SCALE 1:2	SHEET 1 OF 1

4 3 2 1